



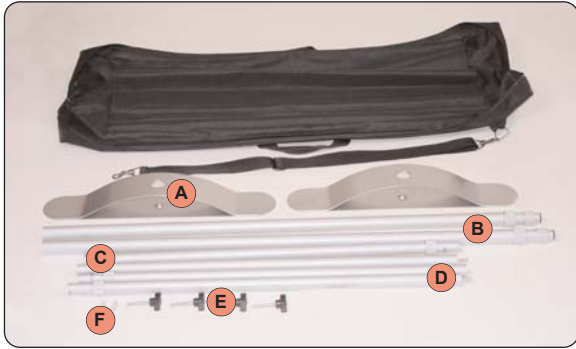
Pegasus is the largest format tension banner in the range, ideal for any exhibition environment.

features & benefits

- Telescopic pole with adjustable height and width
- Breaks down easily for transportation
- Lightweight components
- Cost effective
- Silver powdercoated finish

hardware specifications	graphic specifications	additional info
<p>Assembled dimensions (mm) 2510 (h) x 2540 (w) x 430 (d) 99" (h) x 100" (w) x 17" (d)</p> <p>Weight: 6.8kg / 15lbs including bag</p>	<p>Maximum Visible Graphic Dimensions (mm): 2435mm (h) x 2410mm (w) 96" (h) x 95" (w)</p> <p>Minimum Visible Graphic Dimensions (mm): 860mm (h) x 1330mm (w) 34" (h) x 52.5" (w)</p> <p>Maximum Looped Graphic Dimensions (mm): 4900mm (l) x 2410mm (w) 193" (l) x 95" (w)</p> <p>Recommended extra material for loop: 140mm (5.5") approx top and bottom i.e 280mm (11") approx overall (70mm loops)</p>	<p>Substrate: Ideal for fabric graphics</p> <p>Availability: Silver powdercoated, complete with carry bag</p> <p>Horizontal poles are 19mm (0.75") approx in diameter</p>

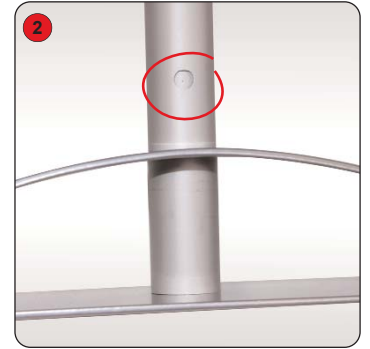
Assembly Instructions



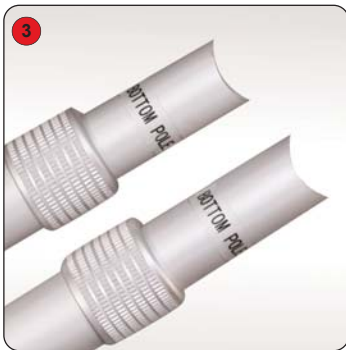
Kit includes: 2 x feet (A), 2 x telescopic upright poles (B), 2 x top rail poles (C) and 2 x bottom rail poles (D), 4 x pole screws (E) and 2 x foot screws (F)



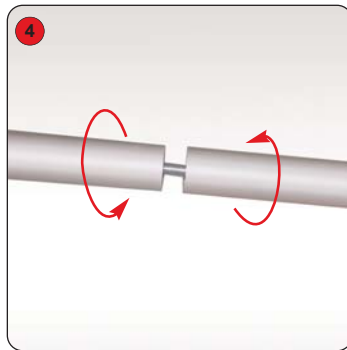
1 Insert a telescopic upright pole (B) through one foot (A) and tighten supplied screw (F) with screwdriver to secure fit



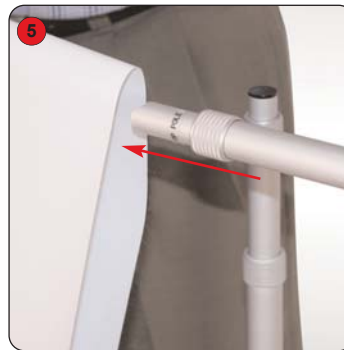
2 Make sure that the mounting hole is facing the long side of each foot. Repeat step 1 and 2 with the other foot and pole.



3 Locate the two top poles (C) and two bottom poles (D) which are labelled accordingly



4 Twist the two top poles together (with the writing appearing at either end). Repeat for the bottom poles



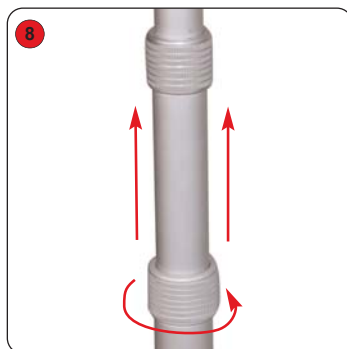
5 Slide the top pole through the looped graphic and adjust length of pole so that at least 50mm is sticking out either end



6 Take one of the pole screws (E) and screw through the upright and into the top rail. Repeat for other end.



7 Slide bottom pole through the bottom of the looped graphic and attach to both uprights with pole screws.



8 To adjust the height of the upright poles so that the graphic fits, twist and pull out each pole as indicated. Twist in the opposite direction to secure.

